

Technical Data Sheet

WEISS™

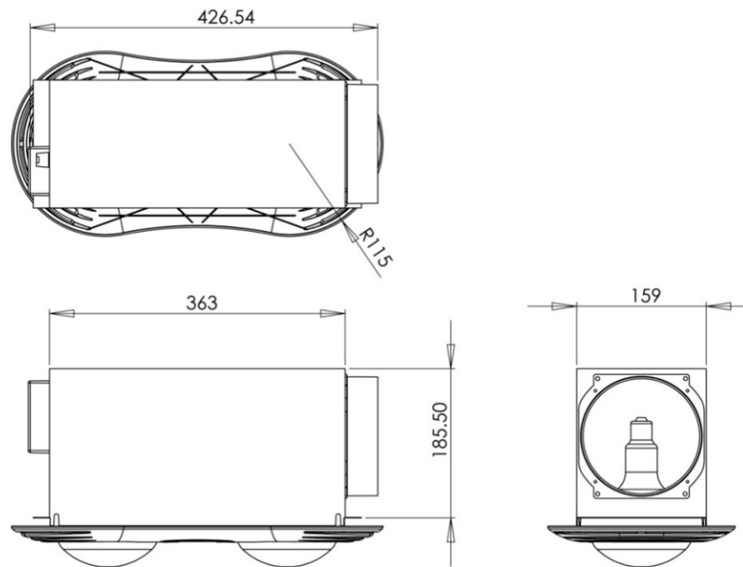
FH701

ClearGlow 2 in 1

White Fascia

Dimensions

Cut-out size for main body 161mmx364mm



Specifications

Weight	2.7Kg
Colour of front fascia	White
Housing material	Sheet Steel
Fascia material	Poly Carb

Approval

AS/NZS 3350.2.80:1998 Amdts 1-3 "Electrical Fan"

Features

- Easy to install
- 2 x 275 watt heat globes
- 1 x 100 watt reflector light
- 2 way wall switch
- All parts are included
- Allows operator to control individual functions with ease
- 3 year extended warranty

Technical Data Sheet

Product Use

The FH701 is used for lighting

Typical applications:

- Bathrooms

Environmental Conditions

Operation	to IEC 721-3-3
Climatic conditions	class 3K5
Temperature	0...+50°C
Humidity	<95% r.h.

Standards

Test standards	AS/NZS 3350.2.80: 1998 Amdts 1-3 "Electrical Fan"
Test Report no	SD3190
EMC Compliance	This is a Level One product with an C frame motor that has a very low risk of causing EMC Interference

General

Two 275 watt heat globes provide instant heat and a 100 watt reflector blub for illumination

Ceiling Insulation clearance 150mm from steel body on all sides, no insulation to cover body

Ordering

When ordering please give name and type,	
Reference	FH701
Barcode	942000490007-5

Technical Data

Power Supply	230 VAC
Power consumption	max. 2.892 Amps
Supply Line fusing	max. 10A
Connection terminals	screw clamp terminals
For solid wires	2 x 1.5mm ²
Motor	230-240VAC 50Hz 0,4Amp
Total motor wattage	650Watts