

Technical Data Sheet

WEISS™

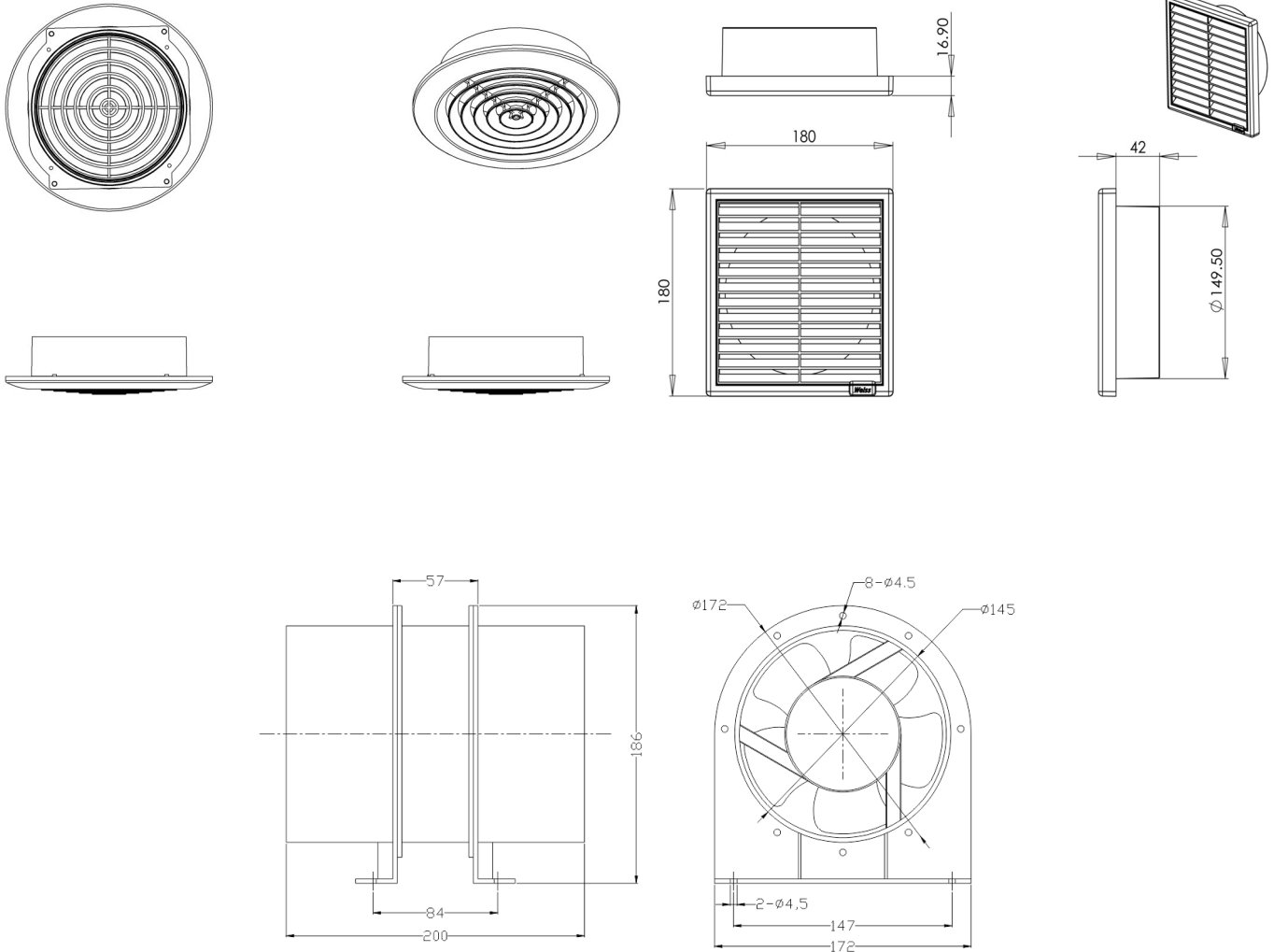
FV101

High Performance Inline Extraction Kit

150mm

Dimensions

Cut-out size for inlet fascia	155mm
Cut out size for outlet vent	155mm



Specifications

Weight	4.1kg
Colour of front fascia	White
Materials	Fan housing: steel Fan body: ABS

Approvals

AS/NZS60335.2.80:2016
AS/NZS 60335.1:2011+A1:2012+A2:2014+A3:2015

Features

- Industrial grade axial fan for high performance
- 10 metres of high quality 2 layer aluminium ducting
- Includes louvre outlet and low profile interior grill
- Ball bearing motor - Long working life (50,000 hours)
- NZ Building Code Compliant including Supplier Declaration
- 5 year warranty

Technical Data Sheet

Product Use

The FV101 is used for the extraction of steam and odours

Typical applications:

- Bathrooms
- Toilets
- Laundries

Environmental Conditions

Operation	220~240 volts
Climatic conditions	class T
Temperature	0...+50°C
Humidity	<95% r.h.

Standards

Test standards	AS/NZS60335.2.80: 2016 and AS/ NZS60335.1:2011 Inc A1-3
Test Report no EMC Compliance	LCS170914004CS This is a Level One product with an C frame motor that has a very low risk of causing EMC Interference

General

Free Air Fan Performance	381.6m ³ / hr 106 l/sec
Installed decibel rating	38dB
Fan pressure rating	140 Pa

Ordering

When ordering please give name and type,	
Reference	FV101
Barcode	0942000490301-4

Technical Data

Power Supply	230 VAC
Power consumption	max. 0.14 Amps
Class I product	This product requires earthing
For solid wires	2 x 1.5mm ²
Motor	220~240VAC 50Hz 0.14 Amp
Motor insulation class	F
Total motor wattage	28 Watts
Motor protection	Thermally protected
Total product wattage	28 watts