

Technical Data Sheet

WEISS™

FV160

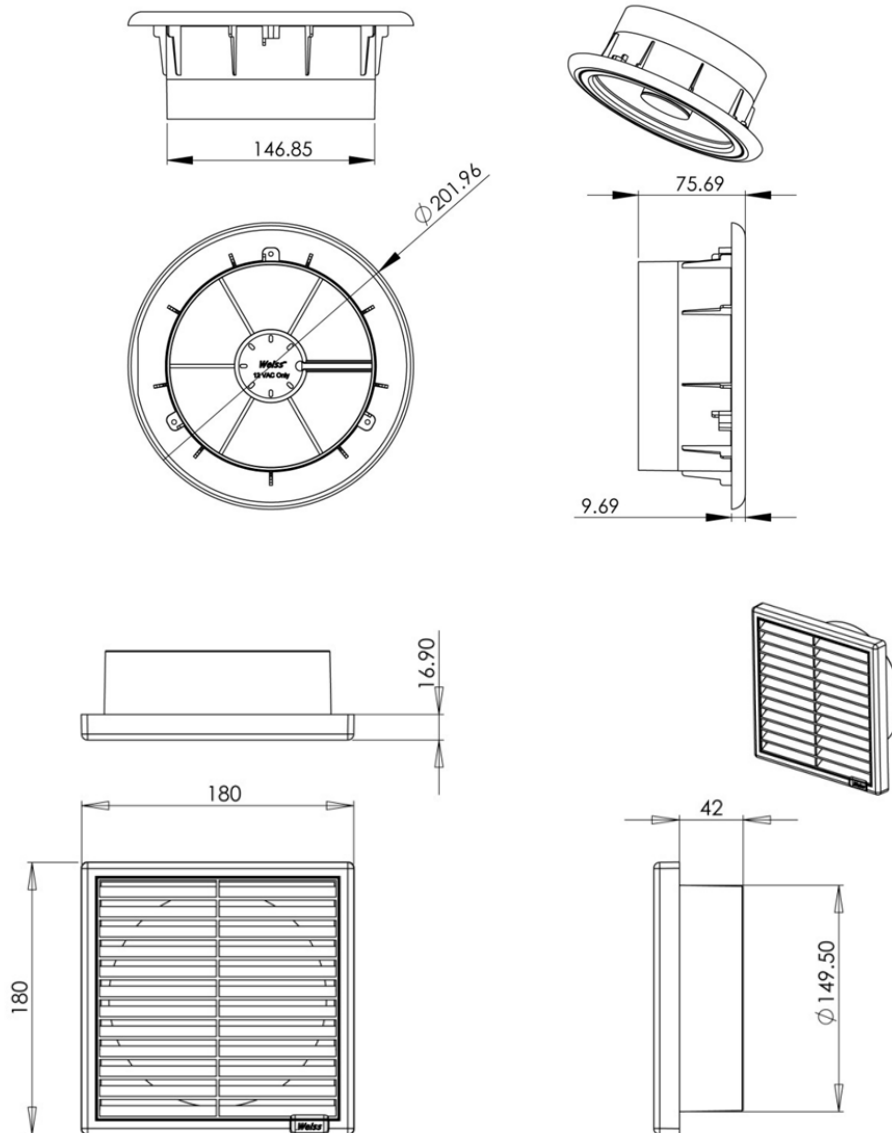
Extra Low Voltage Halogen System

150mm ducting

Dimensions

Cut-out size for inlet fascia 162mm

Cut out size for outlet fascia 170mm



Specifications

Weight	3kg
Colour of front fascia	White
Housing material	FR Glass filled nylon

Approval

AS/NZS 3350.2.80:1998 Amdts 1-3 "Electrical Fan"

Features

- Easy to install
- 6 metres of 150mm diameter ducting included
- Extra low voltage (12v) lighting transformer
- Unique "no fuss" all in one unit
- Allows moisture to be removed to the outside of your home
- All parts are included
- 3 year extended warranty

Technical Data Sheet

Product Use

The FV160 is used for the extraction of mist and lighting

Typical applications:

- Bathrooms
- Toilets
- Laundries

Environmental Conditions

Operation	to IEC 721-3-3
Climatic conditions	class 3K5
Temperature	0...+50°C
Humidity	<95% r.h.

Standards

Test standards	AS/NZS 3350.2.80: 1998 Amdts 1-3 "Electrical Fan"
Test Report no	SD3190
EMC Compliance	This is a Level One product with an C frame motor that has a very low risk of causing EMC Interference

General

Free Air Fan Performance	362m ³ / hr 100.6L/sec
Installed decibel rating	44DB

Ordering

When ordering please give name and type,	
Reference	FV160
Barcode	942000490087-7

Technical Data

Power Supply	230 VAC
Power consumption	max. 3.33 Amps
Supply Line fusing	max. 10A
For solid wires	2 x 1.5mm ²
Motor	230-240VAC 50Hz 0,4Amp
Motor insulation class	B
Total motor wattage	40Watts
Motor protection	Thermally protected