

# Technical Data Sheet

# WEISS™

## FV25

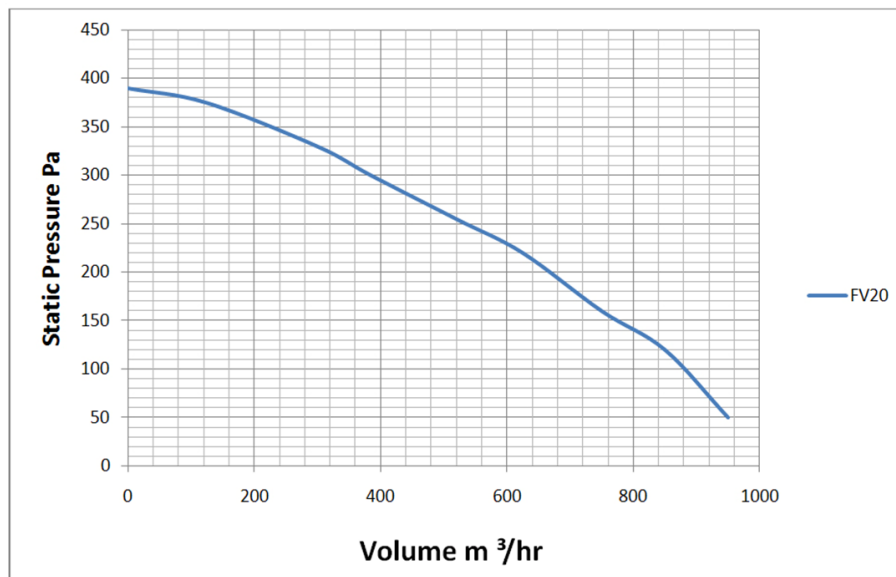
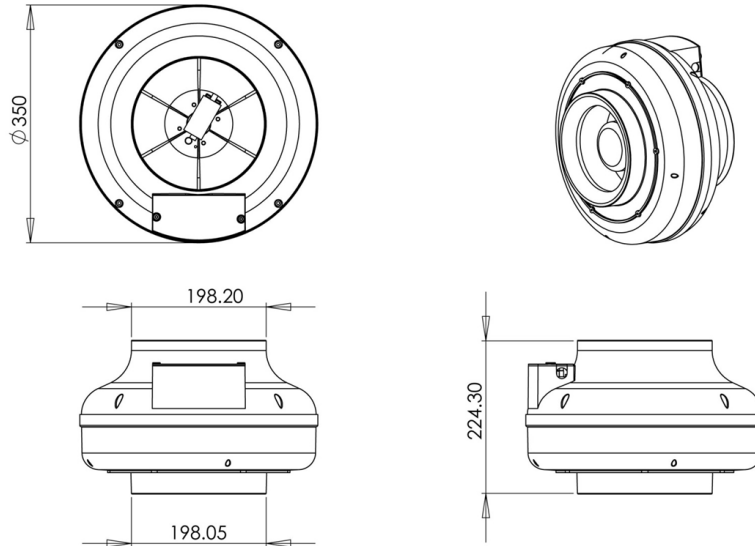
200mm Inline Fan Unit

Boxed

### Dimensions

Fan Size

200mm



### Specifications

N/A

### Approval

N/A

### Features

- Easy to install
- 3 year warranty

# Technical Data Sheet

## Product Use

The FV25 is used for light commercial installations

Typical applications:

- Toilets
- Motels/Hotels
- Common areas

## Environmental Conditions

Operation	to IEC 721-3-3
Climatic conditions	class 3K5
Temperature	0...+50°C
Humidity	<95% r.h.

## Standards

Test standards	A/S NZS 3350.2.80:1998 Amdts 1-3 "Electric Fans"
EMC Compliance	This is a Level One product with an external rotor motor that has a very low risk of causing EMC Interference

## General

Weight	2.5kg
Colour	Black
Housing Material	Flame Retardant ABS
Inlet Diameter	140mm
Outlet Diameter	200mm

## Ordering

When ordering please give name and type,	
Reference	FV25
Barcode	942000490158-4

## Technical Data

Power Supply	230 VAC
Power Consumption	max. 0.4 amp
Supply Line Fusing	max. 10A
For Solid Wires	2 x 1.5mm <sup>2</sup>
Motor	230-240VAC 50Hz 0.4Amp
Motor Insulation Class	B1
Motor Protection	Impedance Protected
Total Product Wattage	115 Watts
Free Air Fan Performance	1070m <sup>3</sup> /hr 77.8L/sec
Installed DB rating at 1.5m	-