

# Technical Data Sheet

# WEISS™

## FV600

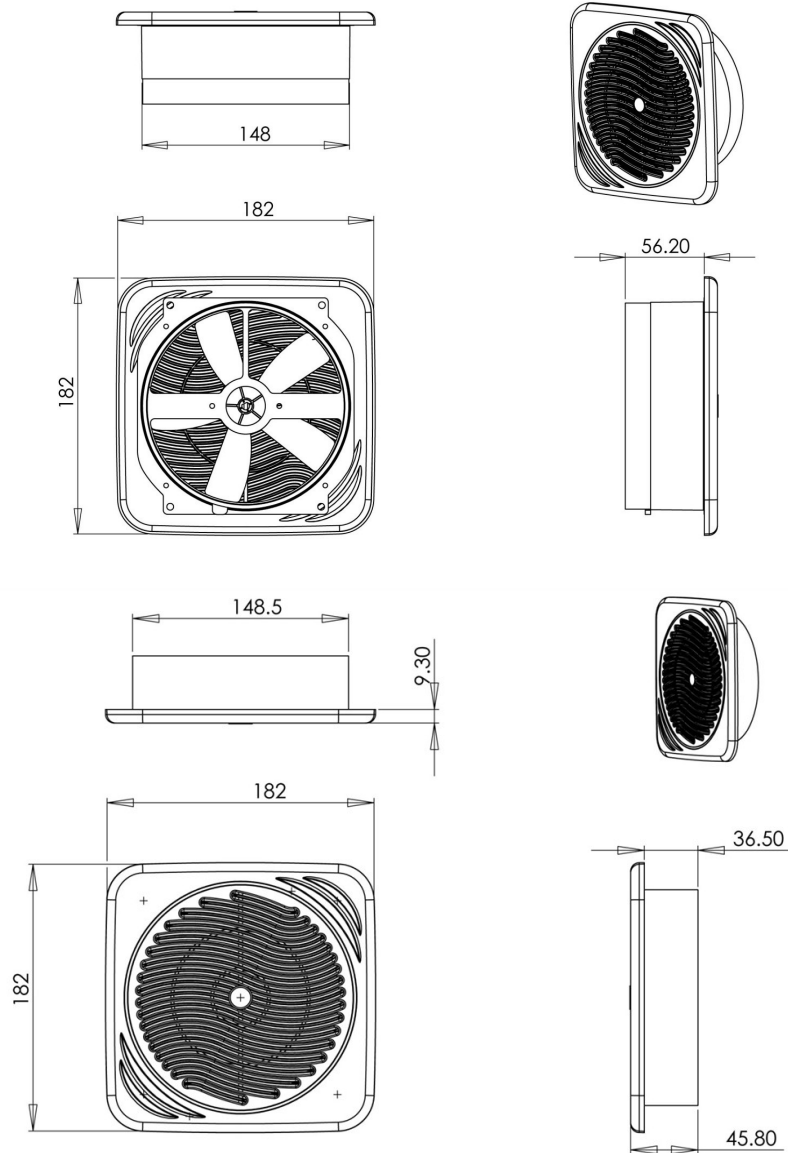
Through Wall Heat Transfer

Expandable Ducting

### Dimensions

Cut-out size for inlet fascia 155mm

Cut out size for outlet fascia 155mm



### Specifications

Weight	1kg
Colour of front fascia	White
Housing material	ABS

### Approval

AS/NZS 3350.2.80:1998 Amdts 1-3 "Electrical Fan"

### Features

- Easy to install
- Fits up to 300mm wall cavity
- Unique 'no fuss' all in one unit
- Expandable ducting
- All parts are included
- 3 year extended warranty

# Technical Data Sheet

## Product Use

The FV600 is used for the transfer of heat to another room

Typical applications:

- Bedrooms
- Lounges
- Living areas

## Environmental Conditions

Operation	to IEC 721-3-3
Climatic conditions	class 3K5
Temperature	0...+50°C
Humidity	<95% r.h.

## Standards

Test standards	AS/NZS 3350.2.80: 1998 Amdts 1-3 "Electrical Fan"
Test Report no	SD2444
EMC Compliance	This is a Level One product with an External rotor motor that has a very low risk of causing EMC Interference

## General

Free Air Fan Performance	185m <sup>3</sup> /hr 51.3L/sec
Installed decibel rating	44DB

## Ordering

When ordering please give name and type,	
Reference	FV600
Barcode	942000490018-1

## Technical Data

Power Supply	230 VAC
Power consumption	max. 0.75 Amps
Supply Line fusing	max. 10A
For solid wires	2 x 1.5mm <sup>2</sup>
Motor	230-240VAC 50Hz 0.4 Amp
Motor insulation class	B
Total motor wattage	15 Watts
Motor protection	Impedance protected
Total product wattage	16.3 watts