

# Technical Data Sheet

# WEISS™

## HS106SET

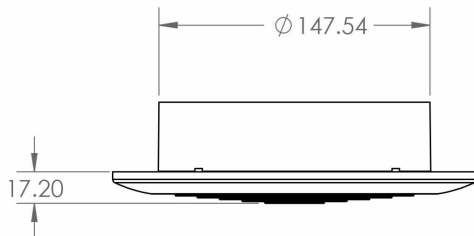
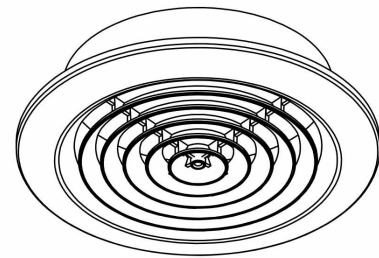
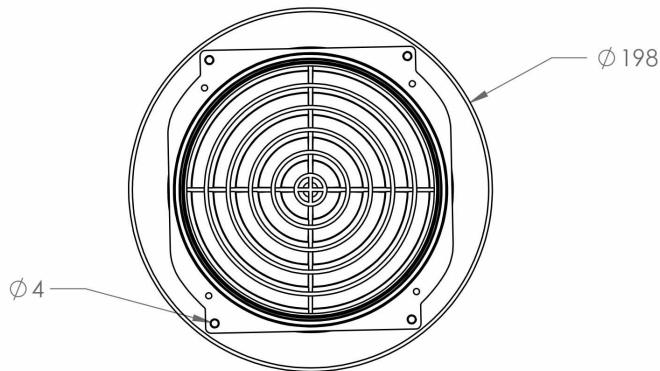
150mm Inlet/ Outlet Vent Set

Hangsell

### Dimensions

Cut-out size

155mm



### General

Removable plastic grille with 150mm surface mounting boss

### Approval

N/A

### Features

- Easy to install
- 1 year warranty

# Technical Data Sheet

## Product Use

Fascia Set

Typical applications:

- Bathrooms
- Toilets
- Laundry Areas

## Environmental Conditions

Climatic conditions	class 3K5
Temperature	0...+50°C
Humidity	<95% r.h.

## Standards

Test standards	N/A
----------------	-----

## Specifications

N/A

## Ordering

When ordering please give name and type,	
Reference	HS106SET
Packaging	Hangsell

## Technical Data

Material	white ABS
----------	-----------